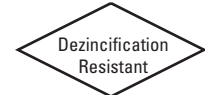


NIBCO® Press System Bronze Ball Valves

Two-Piece Body • Full Port • Bronze Trim • Blowout-Proof Stem • Press Ends Leak Detection



250 PSI/17.2 bar non-shock cold working pressure
250°F maximum operating temperature

CONFORMS TO MSS SP-110

MATERIAL LIST

| PART | SPECIFICATION |
|--------------------------|---|
| 1. Body | Bronze ASTM B584 Alloy C84400 |
| 2. Body End | Bronze ASTM B584 Alloy C84400 |
| 3. Press End Adapter (2) | Wrot Copper ASTM B75 Alloy C12200 |
| 4. Ball | Brass ASTM B16 Alloy C36000 or ASTM B283 Alloy C37700 (Chrome/Nickel Plated) |
| 5. Seat Ring (2) | Reinforced PTFE |
| 6. Boss seal o-ring (2) | EPDM |
| 7. O-Ring (2) | EPDM |
| 8. Packing | PTFE |
| 9. Pack Gland | Brass ASTM B16 Alloy C36000 |
| 10. Stem | Silicon Bronze ASTM B371 Alloy C69300 or ASTM B99 Alloy C65100 |
| 11. Handle Nut | Zinc Plated Steel |
| 12. Thrust Washer | Reinforced PTFE |
| 13. Handle Assembly | Zinc Plated Steel Clear Chromate Plastisol Coated |

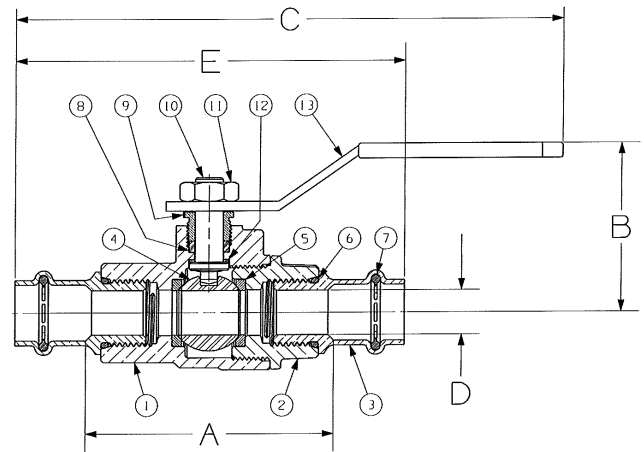


PC-585-70

Press x Press
Female End

Handle Options:

- Stainless steel lever
- NIB-SEAL®
- Locking lever
- Stainless steel locking lever
- Memory stop
- Extended lever w/ memory stop
- Round
- Wing
- Horizontal and vertical chain



PC-585-70
P x P

DIMENSIONS—WEIGHTS

| SIZE | Dimensions | | | | | | Weight | | | | | | |
|--------|------------|------|-----|------|----|-------|--------|------|----|------|-----|------|------|
| | A | B | C | D | E | Lbs. | Kg. | | | | | | |
| 1/2" | 13 | 2.76 | 70 | 1.90 | 48 | 6.00 | 152 | .50 | 13 | 4.15 | 105 | .80 | .36 |
| 3/4" | 19 | 3.28 | 83 | 2.28 | 58 | 7.29 | 185 | .75 | 19 | 5.05 | 128 | 1.56 | .71 |
| 1" | 25 | 3.59 | 91 | 2.41 | 61 | 7.34 | 186 | 1.00 | 25 | 5.36 | 136 | 2.13 | 1.00 |
| 1 1/4" | 32 | 4.62 | 117 | 3.05 | 77 | 10.04 | 255 | 1.25 | 32 | 6.64 | 169 | 3.73 | 1.69 |
| 1 1/2" | 38 | 5.23 | 133 | 3.30 | 84 | 10.72 | 272 | 1.50 | 38 | 8.00 | 203 | 5.53 | 2.51 |
| 2" | 50 | 5.63 | 143 | 3.51 | 89 | 11.05 | 281 | 2.00 | 50 | 8.65 | 220 | 7.95 | 3.61 |

NIBCO Press System ball valves are designed to meet MSS SP-110 with the exception of the end connection. Ball valves are down-rated from 600 PSI CWP to 250 PSI CWP to match the NIBCO Press System. Male and female press-to-connect ends are new technology not yet covered in the current edition of this specification.

Visit our website for the most current information.